

Type:	Specification	Revision N°:	01
Code:	E-PTC-386	Data:	May/2017
Title:	PRODUCT DATA SHEET		

Product Code	31003V0L0V0D001
Description	Package with coextruded with properties of oxygen barrier, capacity of 03 liters with cap type VITOP.
Description	2+2 Films
Film out	Coextruded EVOH
Film in	Ewon

Characteristics		Unit.	Standard (SI)
Capacity:		litre	3
Film out	Thickness uncertainty (Average Toleration +/- 10µ)	Microns (µ)	90
	O2 Transmission (23°C, 50% HR)*	cm ³ /m ² .día. atm (23°C-50%HR.)	0.5
	Water Transmission (23°C, 85HR)*	gr/m ² día (23°C-85%HR.)	1.4
Film in	Thickness (Average Toleration +/- 10µ)	Microns (µ)	65
	Elongation at break long.*	%	580
	Elongation at break transv.*	%	720
Neck	Code	VITOP	
	Colour	Yellow	
Caps	Code	VITOP	
	Colour	Black/Red	
Sterilized	Does not apply		

* Referential data

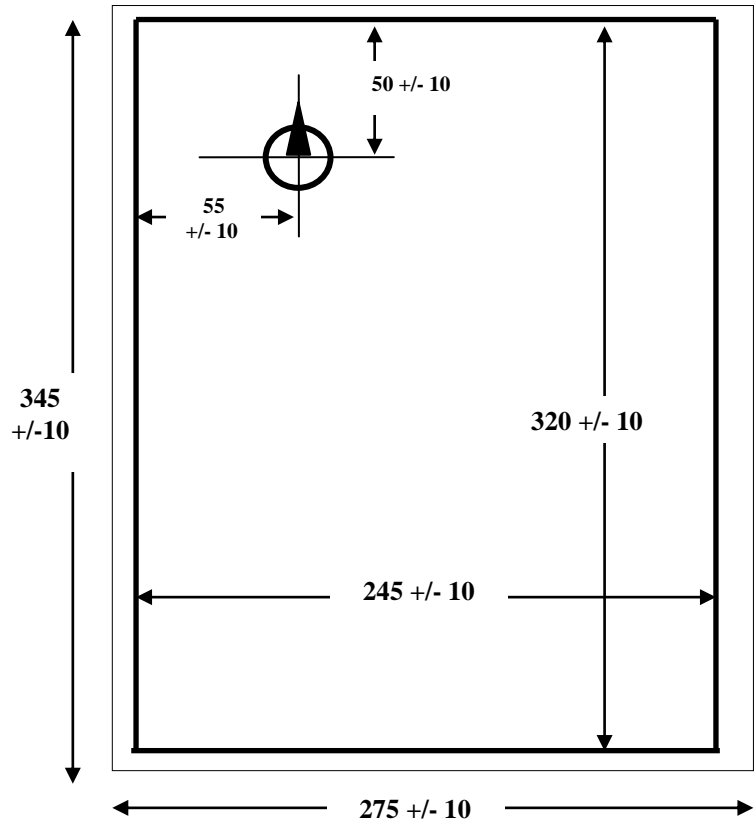
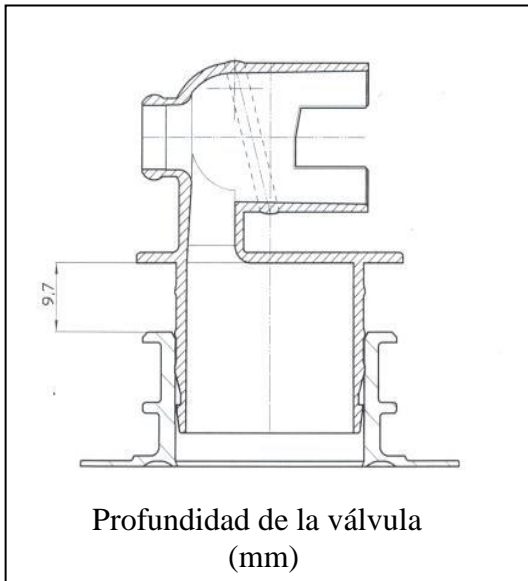
National Approvals	
	INV B-41

Packaging	
Case	cardboard box 0.94 m x 0.37 m x 0.29 m
Primary bag	polyethylene bag
Units per bag	350
Units per pallet	21
Pallet Type	Arlog 1.15 m X 0.96 m
Label data	Product code, number of lot, number of case, manufacture date and quantity of bags.


Dimensions

(Measure expressed in mm)

Specification of the valve



Zona de sellado



Material Safety Data Sheet

Do not fill with:

- Hydrocarbon based substances
- Dangerous substances (poison)
- Gasificated liquids

Storage:

- Seven cases per row each pallet.
- Handle with care.
- Empty bags must be stocked at environment temperature between 4°C and 50°C, in a clean area, dry and without dust, in original cases and covered.
- The empty bags must be used in a period of 24 months since the manufacture date, under store conditions mentioned before. If this period is exceeded you must contact Baguin Quality Department.

Fill

- Keep out sharp elements.
- The bags can't keep the product initial properties if are used for different volume than specified. The Baguin bags are appropriated for filling from 4°C to 50°C as product temperature. Out of this range please contact with Baguin Quality Department. Filled bags must be located into suitable containers.
- Destroy after used.

Transportation

- The product must be shipped over 4°C. In case of the product is freezed before the transportation, frozen condition must be assured during the shipping time, at least temperatures below the product melting point (product core).
- The product could expand during air traveling, or at altitude over to 3500m.
- Avoid head space and use dunnage material when needed.

The above information is given in good faith and have to be considered just like an indication

Special conditions consult